

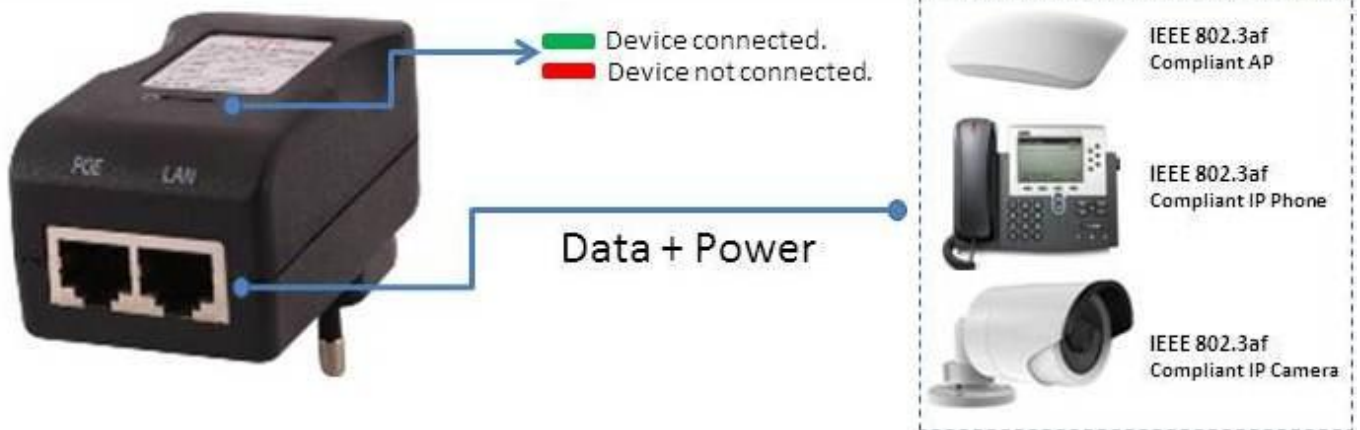


## 12V-1.25A, 10/100Mbps PoE Injector

Model: **PoE1212**

Output: **DC12V 1.25A**

Input: **AC100-240V 50-60Hz**



### What is Does

The PoE Injector PoE1212 can realize synchronous delivery of device network data and power via one Ethernet cable (Cat.5 or better). The output power of per port is up to 15W, which can serve as an outlet for a PoE device (powering via RJ45 port). You can connect PoE1212 to an **IEEE 802.3u** compliant Device, such as wireless AP, IP camera, IP phone, etc. in a sense, it is a good choice for you to reduce the installation cost and improve the network performance.

### Features:

- Delivers power and data through one Ethernet cable for easy network extension.
- PoE Port Delivers power up to 100 meters.
- Complies with IEEE802.3, IEEE802.3u
- Plug and Play, no configuration required.

### Specifications:

#### Standards:

IEEE 802.3, IEEE 802.3u

#### Interface:

1\*10/100Mbps Auto negotiation RJ45 PoE Port.

1\*10/100Mbps Auto negotiation RJ45 Lan Port.

#### Power Output:

DC12V up to 15W PoE port output.

#### LEDs:

1\* Power LED

1\* Device Connected status LED.

#### Operation Temp:

0°C ~ 40°C (32°F ~ 104°F)

#### Operation Humidity:

10%-90% RH, Non condensing.

#### Dimensions:

90 x 46 x 66 mm (3.54 x 1.81 x 2.59 in.)